

Appendix A. Drawings

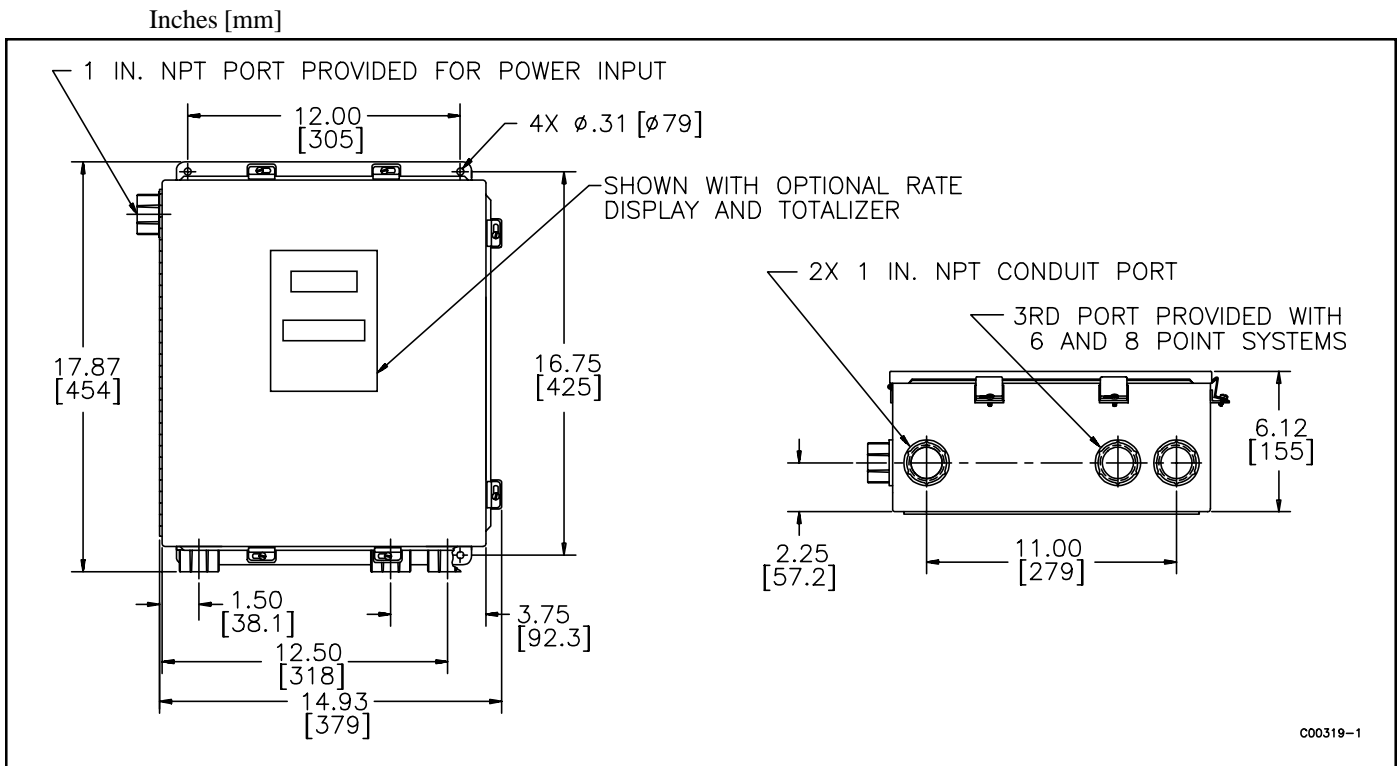


Figure A-1. Remote Enclosure Dimensions (NEMA Type 4)

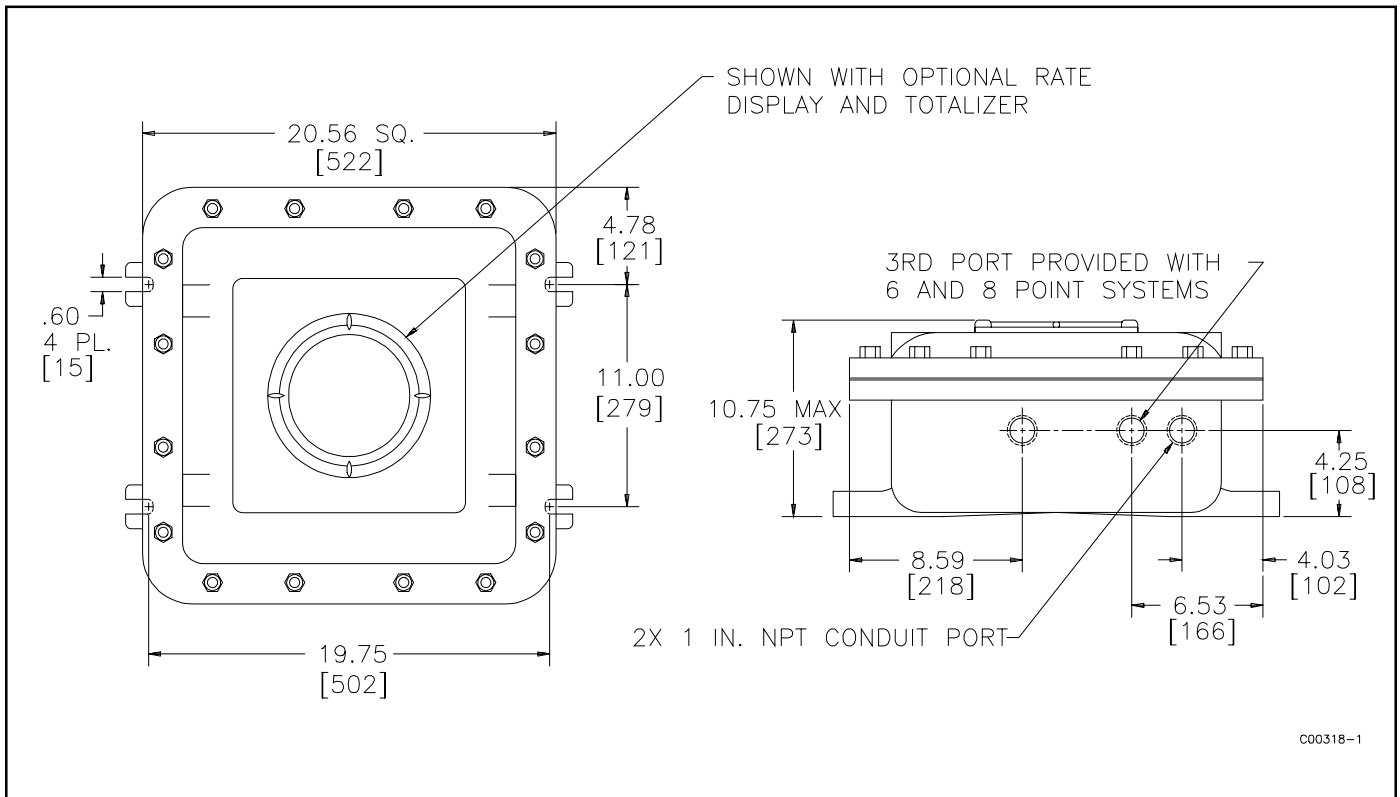


Figure A-2. Remote Enclosure Dimensions (NEMA Type 7)

Inches [mm]

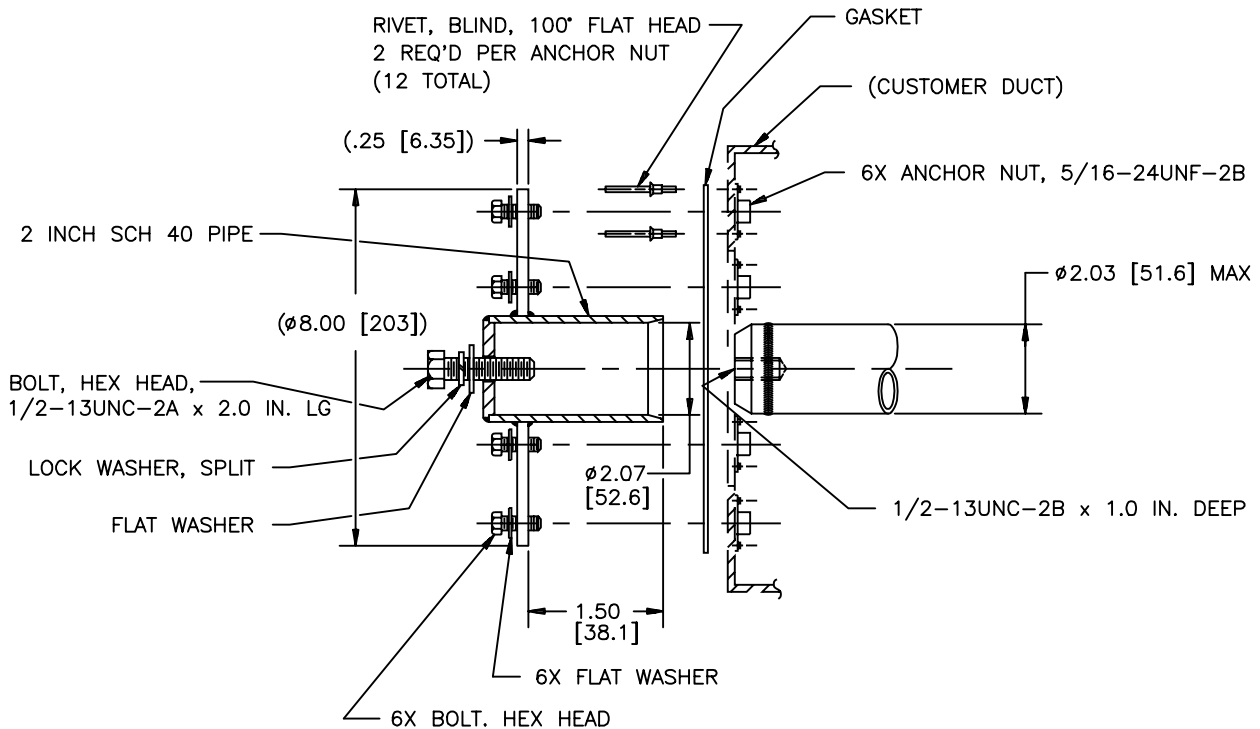
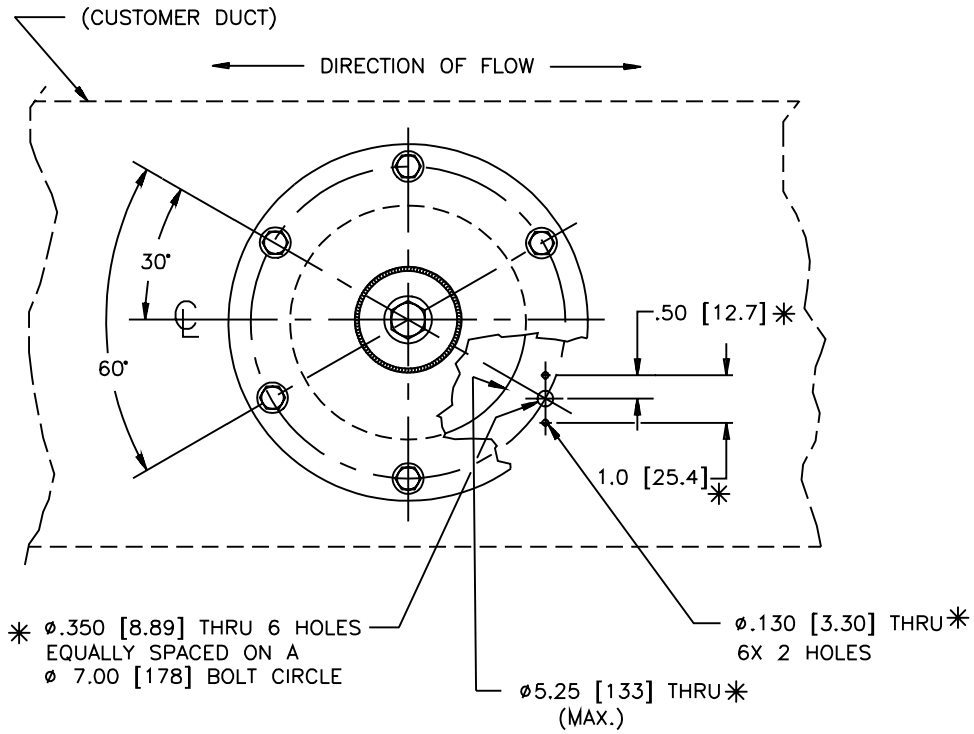


Figure A-3. Recommended End Support

Inches [mm]

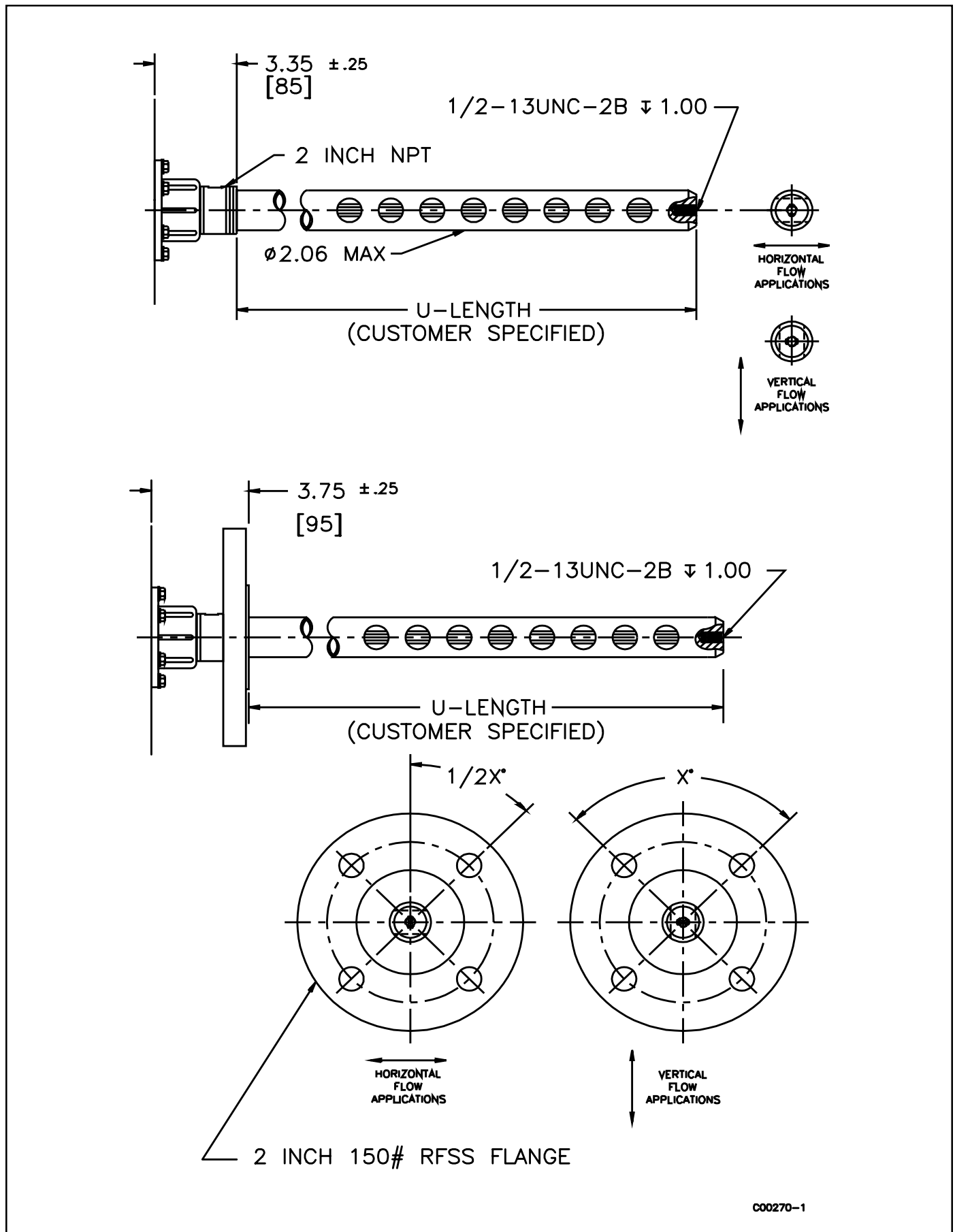


Figure A-4. Flow Element Dimensions

